



Series 127
Sizes: 1/2" - 4"

Steam Pressure Regulators

Series 152A

Sizes: 1/2" - 2"

Series 252A

Sizes: 1/2" - 3/4"



Series 127

Steam Pressure Regulating Valves

Sizes: 1/2" – 4" (15 – 100mm)

For Main Line or Large Process Service
 Standardly furnished with stainless steel seat and trim

The design of Watts Series 127 steam pressure regulators is based upon the tested and proven performance principles of reliable previous models. They are especially engineered and recommended for main line and high capacity process regulation service, heating applications, and are also suitable for dead-end service. The 127 Series are single seated, remote control, diaphragm type regulators, ideal for institutional, industrial, and commercial application; and no regulator offers greater service capabilities at such moderate cost.

Standard construction features stainless steel and nickel alloy seats and trim for either superheated or saturated steam service. Size 1/2" – 1 1/4" standardly furnished with Composition Disc construction (127SC). Initial pressures up to 150 lbs. When specially required with stainless steel valve disc; specify Series 127SS. Initial pressures up to 250 lbs. Sizes 1 1/2" and above standardly furnished with stainless steel valve disc (127SS). Bronze bodies with screwed connections are furnished in sizes 1/2" – 3" inclusive; and sizes 3" and 4" are also available in cast iron flanged bodies. Initial pressures up to 125 lbs.

Based upon initial pressures up to 250 lbs., an accurate selection of reduced pressure is possible in a range down to 5 lbs. and up to 150 lbs., depending on size of regulator and supply pressure. See page 7 for standard ranges available. Reduced pressure below those shown are also available at extra charge. Consult factory.

Because of the severe conditions imposed on any equipment in steam service, Watts engineers gave particular attention to the convenience of maintenance and the need to quickly restore regulator service when maintenance is required. As shown below, the Series 127 incorporates outstanding maintenance features. Springs and diaphragm chamber assemblies are easily changed and the valve is simple to adjust.



127

Maximum Working Pressures

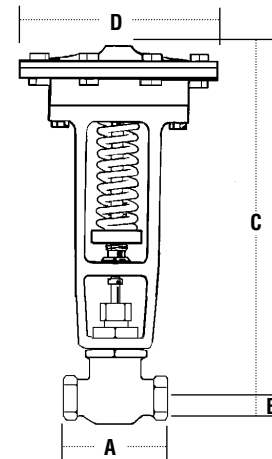
Bronze Bodies – Series 127SC – Initial Pressure up to 150 lbs. Sizes 1/2" – 1 1/4"
 Bronze Bodies – Series 127SS – Initial Pressure up to 250 lbs. Sizes 1/2" – 3"
 Iron Bodies – Standard Flange – Initial Pressure up to 125 lbs. Sizes 3" – 4". 125 lbs. W.S.P.

Dimensions – Weights

TYPE	SIZE (DN)		DIMENSIONS (approx.)						WEIGHTS	
	in.	mm	A		B		C		lbs.	kgs.
Bronze Body Female Screwed Connections	1/2	15	4	102	1	25	15	381	22.5	10
	3/4	20	4	102	1	25	15	381	23	10
	1	25	4 1/4	108	1 1/8	29	15	381	23.5	11
	1 1/4	32	4 1/2	114	1 1/4	32	15 1/8	384	24	11
	1 1/2	40	5 1/4	133	1 1/2	38	15 1/4	387	28	13
	2	50	6	152	1 3/4	45	15 3/8	391	32	15
Iron Body* Flanged Connections	2 1/2	65	7 1/4	184	2 1/8	54	15 3/4	400	34	15
	3	80	8	203	2 3/8	60	16 1/8	410	40	18
	4	100	12 1/8	308	4 1/2	114	16 3/4	426	84	38

Dimension "D" is 6", 8", or 10" depending upon reduced pressure range.

* Flange size connections 125 lbs. W.S.P.

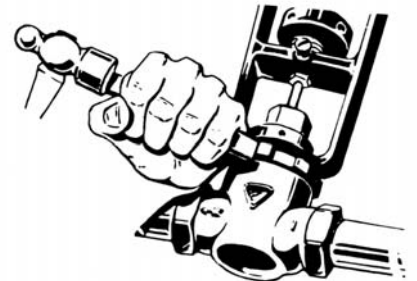


Outstanding Maintenance Features

All steam pressure regulators have certain fundamental design factors, but not all competitive designs have the outstanding accessible features incorporated in the latest Watts design. As evidenced in the following illustrations, Watts Series 127 was purposely designed with ease of servicing and to simplify stocking flexibility or job change pressure specifications.



Diaphragm chamber is easily changed by the removal of two bolts. Chambers and springs are interchangeable for all sizes.



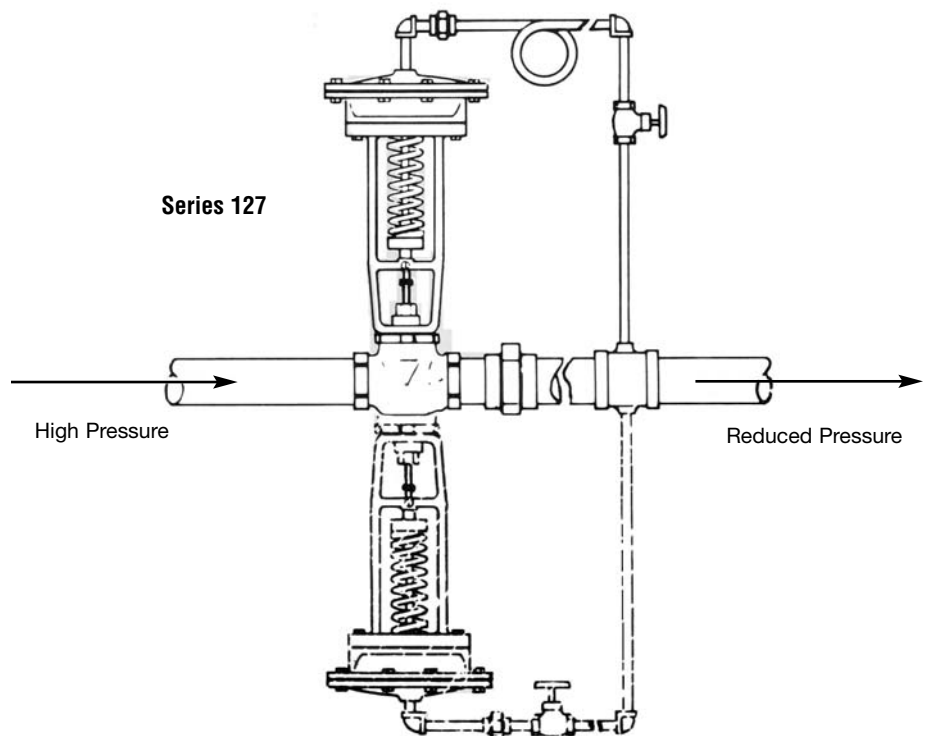
Lugs on the bonnet permit easy removal of the topwork by applying a hammer and blunt tool as illustrated, to expose valve disc and seat.



Valve disc and seat can be easily serviced, but STANDARDLY FURNISHED stainless steel and nickel alloy seats and trim reduce maintenance and increase longevity.

Basic Installation Information

Series 127 may be installed with the diaphragm above or below the line. It may also be installed in a vertical line. Pressure connections must always have a water seal.



Series 152A, 252A

Medium Volume Process Regulators

Sizes: Series 152A 1/2" – 2" (15 – 50mm),
Series 252A 1/2" – 3/4" (15 – 20mm)

For Steam

The general objective in the Watts 152A design is to offer a standard price regulator capable of handling the majority of lower volume process requirements for either saturated wet, or superheated steam without need of specifying type of trim required for various services.

This latest design also offers highly sensitive response to reduced pressure changes. Consequently, it maintains fullest possible volume without appreciable reduced pressure drop.

These valves are used successfully on applications where smaller demands are met, such as in autoclaves, steam table, laundry mangles, steam irons, single radiators, vulcanizers and sterilizers.

Construction of 152A Series is cast iron for supply pressure up to 200 lbs. Reduced pressure is adjustable in various pressure ranges, see table on page 5. Also custom made valves and ranges available. Consult factory.

Servicing convenience is indicated by certain unique design features. The disc and stem assembly is easily removable, so that a new assembly can be installed quickly while the worn assembly is being repaired for further service later. A large bottom plug facilitates such maintenance, as well as the cleaning or replacing of the strainer. Maintenance can be performed without removing the valve body from the line.

252A — Identical to Series 152A except furnished with special composition bronze body for supply pressures in excess of 200 lbs. and up to 300 lbs. Sizes 1/2" and 3/4".

152AT or 252AT — Tight seating model for dead-end and liquid service. When utilizing a Teflon® valve disc in the 252AT, the maximum operating temperatures are 300°F at 300psi and 400°F at 200psi. 152AT maximum inlet pressure 200 lbs.

Stainless Steel

152SS — With stainless steel body and cage, 1/2", 3/4", 1" for pressure up to 300psi and 420°F.

152SST — Tight seating model for dead end and liquid service, 1/2", 3/4", 1". Operating temperatures are 300°F at 300psi and 400°F at 200psi.

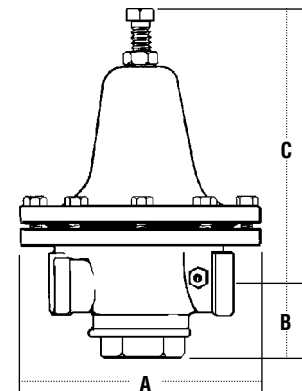
Dimensions – Weights

MODEL	SIZE (DN)		DIMENSIONS (approx.)						WEIGHT	
	in.	mm	A	B	C		lbs.	kgs.		
152A, 152SS, 252A	1/2, 3/4	15, 20	4 5/8 118	1 3/4 45	6 7/8 175		12	5		
152A, 152SS	1, 1 1/4	25, 32	5 5/8 144	2 51	7 1/4 184		20	9		
152A	1 1/2, 2	40, 50	6 5/8 170	2 3/4 70	11 1/2 292		40	18		



152A, 252A

Sensitivity Adjustment Feature



Specification Table for Simplified Selection

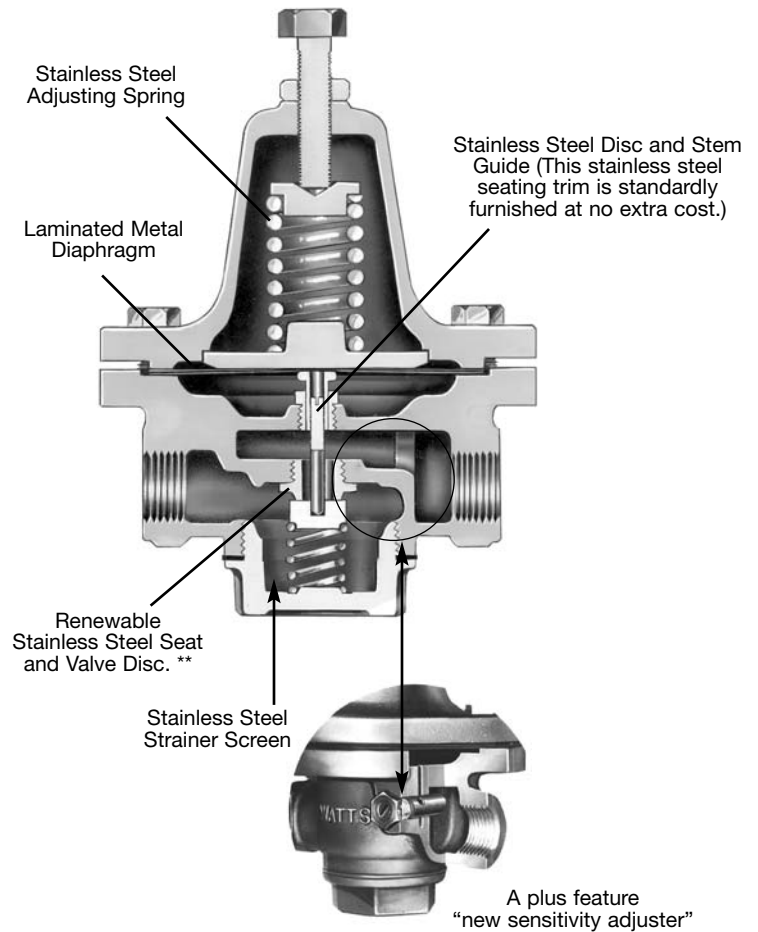
Due to Watts standardized superior features, it is only necessary to specify type number and reduced pressure range required.

MODEL	SERVICE	BODY MATERIAL	MAXIMUM INITIAL PRESSURE	DISC	SEAT	REQUIRED PRESSURE RANGES
152A	Saturated, Wet or Superheated Steam	Iron	200 lbs.	Stainless Steel	Stainless Steel	See page 5
152SS	Saturated, Wet or Superheated Steam	Stainless Steel	300 lbs.	Stainless Steel	Stainless Steel	See page 5
252A	Saturated, Wet or Superheated Steam	Composition Bronze	300 lbs.	Stainless Steel	Stainless Steel	See page 5

Outstanding Features



This is a typical multiple installation on a hospital autoclave.



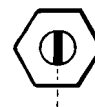
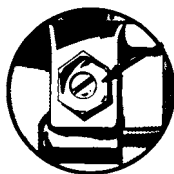
Series 152A, 252A Adjusting Spring Range Chart

SIZE	*ADJUSTABLE RANGES	SPRING AND MODEL	
		Series 152A, 252A	Series 152SS
1/2"	3 lbs. – 15 lbs.	145	489
	10 lbs. – 50 lbs.	146	509
	30 lbs. – 140 lbs.	141	490
3/4"	3 lbs. – 15 lbs.	145	493
	10 lbs. – 50 lbs.	146	128
	30 lbs. – 140 lbs.	141	491
1"	3 lbs. – 15 lbs.	146	493
	10 lbs. – 30 lbs.†	128	128
	30 lbs. – 140 lbs.	142	491
1 1/4"	3 lbs. – 15 lbs.	146	
	10 lbs. – 30 lbs.	128	
	30 lbs. – 140 lbs.	142	
1 1/2"	5 lbs. – 40 lbs.	276	
	30 lbs. – 100 lbs.	299	
2"	5 lbs. – 40 lbs.	276	
	30 lbs. – 100 lbs.	299	

*The minimum reduced pressure ranges shown are recommended only when very sensitive regulation service is needed for specific requirements. However, all valves may be adjusted below the working range minimums shown for lower regulation or complete shut off.

† Series 152SS adjustable range is 10 – 50 lbs.

Sensitivity Adjuster Feature



Normal Position



Adjusted Position

Now Standardly Furnished in Series 152A, 252A, 152SS

Simple, External Adjustment . . . Lets you “dial out” any vibration noises

A unique feature of the new 152A, 252A Series is that they are now standardly furnished with a “**sensitivity adjuster feature**” which permits the user to “dial out” any vibration noises which may be created in the line because of certain critical flow conditions. The regulator is furnished with the “compensator screw” in the vertical or “wide open” position. If, however, flow conditions in the line cause vibration, the adjustment screw can be turned slowly with a screwdriver until the vibration is eliminated. This feature, exclusive in Watts pressure regulators, puts an end to “chattering” problems cause by critical steam flow. This added feature also improves performance and capacity.

**When utilizing a Teflon® disc in the 152SST or 252AT, the maximum operating temperatures are 300°F at 300psi and 400°F at 200psi.

Size and Capacity Information

For Watts Series 127 and 152A Pressure Regulators

For steam service the correct size valve is most important for satisfactory regulator service, and selection should be carefully considered. In a broad sense, the smallest size regulator that will satisfy the peak demands of a given installation is the correct size. If a regulator is too large, wire drawing of the seat and disc will result — if too small, service will be inadequate and regulation will be uneven. Size of the valve is in direct relation to the demand and it is determined by the weight of steam required under given initial and reduced pressures.

It is important when ordering to give certain other information so that our engineers can specify the proper combination of diaphragm, seat and disc, springs or weights that will serve your need best. Our engineering department will also be glad to help solve any installation problems that are encountered.

Steam Capacity Chart

Chart I

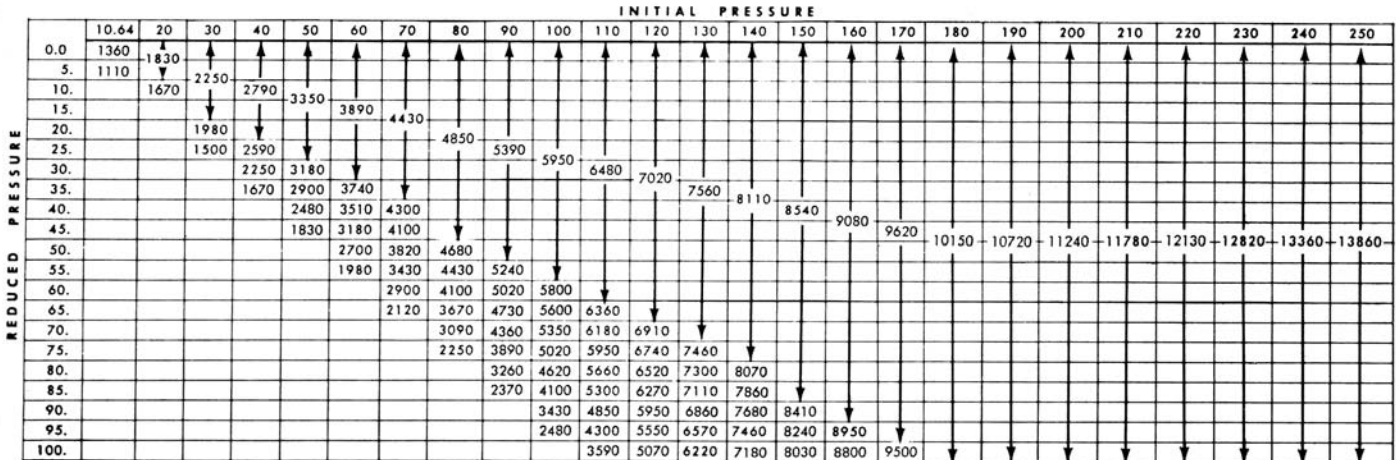


Table of Valve Co-Efficients for Steam

Table A

MODEL	CO-EFFICIENTS PER SIZE							
	1/2"	3/4"	1"	1 1/4"	1 1/2"	2"	2 1/2"	3"
127	.065	.147	.262	.409	.589	1.05	1.64	2.36
152A, 252A	.024	.085	.120	.132	.187	.216	—	—

How to Use Steam Capacity Chart

1. To find correct valve size when initial and reduced pressure and amount of steam (pounds per hour) are known.

In Chart I under the known initial pressure and opposite the required reduced pressure select the figure shown. Divide the amount of steam required by this figure. The quotient thus obtained is the valve co-efficient. Select a valve size whose co-efficient is equal to or next larger than this figure.

Example:

Initial pressure is 100 lbs.
 Amount of Steam 275 lbs. per hour
 Reduced pressure is 45 lbs.
 Under 100 and opposite 45 is the figure 5950
 Co-efficient is $275 \div 5950$ equals .046

For Type 127, the nearest valve co-efficient in Table A is .065, which corresponds to a 1/2" valve.

For Type 152A, the nearest valve co-efficient in Table A is .085, which corresponds to a 3/4" valve.

2. To determine the valve size when the amount of radiation, initial and reduced pressure are given.

Convert the radiation to pounds of steam by dividing the square feet of radiation by 4, then proceed as in 1.

3. To determine the size of valve necessary for steam coil heater in water storage tank when initial and reduced pressures are given and heater recovery capacity in gallons per hour is known.

Multiply cap. gal. per hr. by .93 for 80° rise per hr.
 Multiply cap. gal. per hr. by 1.16 for 100° rise per hr.
 Multiply cap. gal. per hr. by 1.62 for 140° rise per hr.
 Multiply cap. gal. per hr. by 1.74 for 150° rise per hr.
 The resulting figure is pounds of steam required.
 Determine valve size as shown in 1.

4. To determine the capacity of a valve when the initial and reduced pressure are known.

In Chart I under the known initial pressure and opposite the known reduced pressure select the figure shown. Multiply this by the co-efficient for the size of the valve. The result is the cap. in lbs. steam per hr.

Series 127 Standard Reduced Pressure Range Chart

The Table shows minimum and maximum reduced pressure ranges obtainable with various selections of chamber diameters and adjusting spring, depending on supply pressures.

VALVE SIZE	MODEL	INITIAL PRESSURE																			
		25		50		75		100		125		150		175		200		225		250	
		min.	max.	min.	max.	min.	max.	min.	max.	min.	max.	min.	max.	min.	max.	min.	max.	min.	max.	min.	max.
1/2"	206	14	25	19	50	20	75	21	100	22	104	23	105	24	106	25	107	26	108	27	109
	208	10	25	10	50	11	50	11	51	12	51	12	52	13	52	13	53	14	53	14	54
	108	3	17	3	17	4	18	4	18	5	19	5	19	6	20	6	20	7	21	7	21
	110	2	9	2	9	3	9	3	10	3	10	3	10	4	10	4	11	4	11	4	11
3/4"	206	13	25	20	50	22	75	24	100	26	108	28	110	30	112	32	114	34	116	36	118
	208	10	25	11	50	12	51	13	52	14	53	15	54	16	55	17	56	18	57	19	58
	108	2	17	3	18	4	19	4	20	6	21	7	22	8	23	9	24	10	25	11	26
	110	2	9	2	9	3	10	3	10	4	11	4	11	5	12	5	12	6	13	6	13
1"	206	13	25	–	50	24	75	26	100	29	108	31	110	34	113	36	115	39	118	41	120
	208	10	25	11	50	12	51	13	52	14	53	15	54	16	55	17	56	18	57	19	58
	108	3	17	4	18	5	19	6	20	7	21	8	22	9	23	10	24	11	25	12	26
	110	2	9	2	9	3	10	3	10	4	11	4	11	5	12	5	12	6	13	6	13
1 1/4"	206	13	25	23	50	26	75	29	100	32	112	35	115	38	118	41	121	44	124	47	127
	208	14	25	15	50	16	55	17	56	18	57	19	58	20	59	21	60	22	61	23	62
	108	4	24	5	25	6	26	7	27	8	28	9	29	10	30	11	31	12	32	13	33
	110	1	9	2	10	3	11	4	12	4	12	5	13	6	14	7	15	7	15	8	16
1 1/2"	206	15	25	24	50	28	75	31	100	35	117	38	120	42	124	45	127	49	130	52	134
	208	11	25	13	50	15	52	17	54	19	56	21	58	23	60	25	62	27	64	29	66
	210	7	25	8	30	9	31	10	32	11	33	12	34	13	35	14	36	15	37	16	38
	110	3	10	4	11	5	12	6	13	7	14	8	15	9	16	10	17	11	18	12	19
2"	206	16	25	25	50	31	75	36	100	42	115	47	120	53	126	58	133	64	137	69	142
	208	9	25	12	50	15	53	18	56	21	59	24	62	27	65	30	68	33	71	36	74
	210	6	29	7	30	9	32	10	33	12	35	13	36	15	38	16	39	18	41	19	42
	110	4	9	5	10	7	12	8	13	10	15	11	16	13	18	14	19	16	21	17	22
2 1/2"	206	11	25	27	50	35	75	42	100	50	118	57	125	65	133	72	140	80	148	87	155
	208	11	25	15	50	19	54	23	58	27	62	31	66	35	70	39	74	43	78	47	82
	210	7	25	9	30	12	33	14	35	17	38	19	40	22	43	24	45	27	48	29	50
	110	4	10	6	12	9	15	11	17	14	20	16	22	19	25	21	27	24	30	26	32
3" & 4"	206	18	25	30	50	40	75	50	100	60	120	70	130	80	140	90	150	100	160	110	170
	208	12	25	18	50	24	56	30	62	36	68	42	74	48	80	54	86	60	92	66	98
	210	8	25	1	32	15	36	18	39	22	43	25	46	29	50	32	53	36	57	39	60
	110	5	11	8	14	12	18	15	21	16	28	20	31	26	32	29	35	33	39	36	42

Note: Consult factory for special ranges below those shown, providing initial pressure, reduced pressure and valve sizes.

■ Shaded areas are not for 3" & 4" flanged valves, maximum pressure 125.

Quick Reference Capacity Chart for Average Conditions

MODEL	SIZE	INITIAL PRESSURE									
		FROM 50	FROM 75	FROM 100	FROM 125	FROM 150	FROM 175	FROM 200	FROM 225	FROM 250	
		REDUCED PRESSURE									
		UP TO 20	UP TO 35	UP TO 50	UP TO 60	UP TO 70	UP TO 80	UP TO 90	UP TO 100	UP TO 125	
<i>Maximum Capacities in lbs. of Steam per Hour</i>											
127	1/2"	218	302	387	474	555	643	731	811	900	
	3/4"	492	682	875	1072	1255	1454	1653	1834	2037	
	1"	878	1216	1560	1911	2237	2591	2946	3268	3631	
	1 1/4"	1370	1898	2436	2984	3493	4045	4599	5102	5668	
	1 1/2"	1973	2733	3508	4297	5030	5825	6623	7348	8163	
	2"	3518	4872	6253	7660	8967	10,385	11,807	13,099	14,553	
	2 1/2"	5494	7610	9766	11,964	14,006	16,220	18,442	20,459	22,730	
252A, 152A	3"	7906	10,950	14,054	17,216	20,154	23,340	26,538	29,441	32,709	
	4"	8301	11,497	14,756	18,076						
152A	1/2"	80	111	143	175	205	237	270	299	332	
	3/4"	285	394	506	620	726	841	956	1060	1178	
	1"	402	557	715	875	1025	1186	1349	1497	1663	
152A	1 1/4"	442	613	786	962	1127	1305	1484	1646	1830	
	1 1/2"	665	870	1120	1355	1600	1950	2230	2460	2725	
	2"	765	1000	1285	1490	1840	2242	2564	2829	3134	

Example: Initial pressure is 100 lbs., reduced pressure is 50 lbs. and capacity required is 1500 lbs. of steam per hour. By referring to the proper initial reduced pressure column (100 up to 50) 1560 lbs. per hour is closest to Required Capacity and corresponds to a Type 127 valve, size 1".

Note: For reduced pressure above those shown for each initial pressure column, refer to Detailed Capacity Table.

■ Shaded areas are not for 3" & 4" flanged valves, maximum pressure 125.

For Technical Assistance Call Your Authorized Watts Agent.

			Telephone #	Fax #
	HEADQUARTERS: Watts Regulator Company	815 Chestnut St., North Andover, MA 01845-6098 U.S.A.	978 688-1811	978 794-1848
North East	Edwards, Platt & Deely, Inc.	271 Royal Ave., Hawthorne, NJ 07506	973 427-2898	973 427-4246
	Edwards, Platt & Deely, Inc.	368 Wyandanch Ave., North Babylon, NY 11703	631 253-0600	631 253-0303
	W. P. Haney Co., Inc.	51 Norfolk Ave., South Easton, MA 02375	508 238-2030	508 238-8353
Mid Atlantic	J. B. O'Connor Company, Inc.	P.O. Box 12927, Pittsburgh, PA 15241	724 745-5300	724 745-7420
	RMI	Glenfield Bus. Ctr., 2535 Mechanicsville Tpk., Richmond, VA 23223	804 643-7355	804 643-7380
	The Joyce Agency, Inc.	8442 Alban Rd., Springfield, VA 22150	703 866-3111	703 866-2332
	Vernon Bitzer Associates, Inc.	980 Thomas Drive, Warminster, PA 18974	215 443-7500	215 443-7573
	WMS Sales, Inc. (Main office)	9580 County Rd., Clarence Center, NY 14032	716 741-9575	716 741-4810
South East	Billingsley & Associates, Inc.	2728 Crestview Ave., Kenner, LA 70062-4829	504 602-8100	504 602-8106
	Billingsley & Associates, Inc.	478 Cheyenne Lane, Madison, MS 39110	601 856-7565	601 856-8390
	Francisco J. Ortiz & Co., Inc.	Charlyn Industrial Pk., Road 190 KM1.9 - Lot #8, Carolina, Puerto Rico 00983	787 769-0085	787 750-5120
	Mid-America Marketing, Inc.	203 Industrial Drive, Birmingham, AL 35211	205 879-3469	205 870-5027
	Mid-America Marketing, Inc.	1364 Foster Avenue, Nashville, TN 37210	615 259-9944	615 259-5111
	Mid-America Marketing, Inc.	5466 Old Hwy. 78, Memphis, TN 38118	901 795-0045	901 795-0394
	Smith & Stevenson Co., Inc.	4935 Chastain Ave., Charlotte, NC 28217	704 525-3388	704 525-6749
	Spotswood Associates, Inc.	6235 Atlantic Blvd., Norcross, GA 30071	770 447-1227	770 263-6899
	Target Marketing Enterprises, Inc.	118 West Grant St., Building M, Orlando, FL 32806	407 245-7838	407 245-7833
North Central	Aspinall Associates, Inc.	6840 Hillsdale Court, Indianapolis, IN 46250	317 849-5757	317 845-7967
	Dave Watson Associates	1325 West Beecher, Adrian, MI 49221	517 263-8988	517 263-2328
	Disney McLane & Associates	428 McGregor Ave., Cincinnati, OH 45206	800 542-1682	877 476-1682
	BWA Company	17610 S. Waterloo Rd., Cleveland, OH 44119	216 486-1010	216 486-2860
	Mid-Continent Marketing Services Ltd.	1724 Armitage Ct., Addison, IL 60101	630 953-1211	630 953-1067
	Soderholm & Associates, Inc.	7150 143rd Ave. N.W., Anoka, MN 55303	763 427-9635	763 427-5665
	Stickler & Associates	333 North 121 St., Milwaukee, WI 53226	414 771-0400	414 771-3607
South Central	Hugh M. Cunningham, Inc.	13755 Benchmark, Dallas, TX 75234	972 888-3808	972 888-3838
	Mack McClain & Associates	11132 South Towne Square, Suite 202, St. Louis, MO 63123	314 894-8188	314 894-8388
	Mack McClain & Associates, Inc.	1450 NE 69th Place, Ste. 56 Ankeny, IA 50021	515 288-0184	515 288-5049
	Mack McClain & Associates, Inc.	15090 West 116th St., Olathe, KS 66062	913 339-6677	913 339-9518
	OK! Sales, Inc.	2200 Blue Creek Dr., Norman, OK 73026	405 360-6161	405 360-0092
	Phoenix Marketing, Ltd.	2416 Candelaria N.E., Albuquerque, NM 87107	505 883-7100	505 883-7101
Western	Delco Sales, Inc.	1930 Raymer Ave., Fullerton, CA 92833	714 888-2444	714 888-2448
	Delco Sales, Inc.	111 Sand Island Access Rd., Unit I-10, Honolulu, HI 96819	808 842-7900	808 842-9625
	Fanning & Associates, Inc.	6765 Franklin St., Denver, CO 80229-7111	303 289-4191	303 286-9069
	Hollabaugh Brothers & Associates	6915 South 194th St., Kent, WA 98032	253 867-5040	253 867-5055
	Hollabaugh Brothers & Associates	3028 S.E. 17th Ave., Portland, OR 97202	503 238-0313	503 235-2824
	P I R Sales, Inc.	3050 North San Marcos Place, Chandler, AZ 85225	480 892-6000	480 892-6096
	Preferred Sales	31177 Wiegman Road, Hayward, CA 94544	510 487-9755	510 476-1595
	R. E. Fitzpatrick Sales, Inc.	4109 West Nike Dr. (8250 South), West Jordan, UT 84088	801 282-0700	801 282-0600
Canada	Watts Industries (Canada) Inc. (Watts Regulator Co. Division)	5435 North Service Road, Burlington, Ontario L7L 5H7	905 332-4090	905 332-7068
	Con-Cur West Marketing, Inc.	#109-42 Fawcett Rd., Coquitlam, British Columbia V3K 6X9	604 540-5088	604 540-5084
	D.C. Sales, Ltd.	10-6130 4th St. S.E., Calgary, Alberta T2H 2A6	403 253-6808	403 259-8331
	D.C. Sales, Ltd.	11420 142 Street, Edmonton, Alberta T5M 1V1	780 496-9495	780 496-9621
	GTA Sales Team.	Greater Toronto Area	888 208-8927	888 479-2887
	Hydro-Mechanical Sales, Ltd.	3700 Joseph Howe Dr., Ste. 1 Halifax, Nova Scotia B3L 4H7	902 443-2274	902 443-2275
	Hydro-Mechanical Sales, Ltd.	297 Collishaw St., Ste. 7 (shipping) Moncton, New Brunswick E1C 9R2	506 859-1107	506 859-2424
	Hydro-Mechanical Sales, Ltd.	85 Toit Rd., St. Phillips, Newfoundland A1B 3M7	709 895-0090	709 895-0091
	Le Groupe B.G.T., Inc.	23 du Buisson, Pont Rouge, Quebec G3H 1X9	418 657-2800	418 657-2700
	Le Groupe B.G.T., Inc.	86 des Entreprises #208, Boisbriand, Quebec J7G 2T3	450 434-9010	450 434-9848
	Mar-Win Agencies, Ltd.	1123 Empress St., Winnipeg, Manitoba R3E 3H1	204 775-8194	204 786-8016
	Northern Mechanical Sales	P.O. Box 280 (mailing) 163 Pine St. (shipping), Garson, Ontario P3L 1S6	705 693-2715	705 693-4394
	Palser Enterprises, Ltd.	1885 Blue Heron Dr., #4, London, Ontario N6H 5L9	519 471-9382	519 471-1049
	RAM Mechanical Marketing	1401 St. John St., Regina, Saskatchewan S4R 1S5	306 525-1986	306 525-0809
RAM Mechanical Marketing	510 Ave M South, Saskatoon, Saskatchewan S7M 2K9	306 244-6622	306 244-0807	
Walmar Mechanical Sales	24 Gurdwara Rd., Nepean, Ontario K2E 8B5	613 225-9774	613 225-0673	
0408	EXPORT Hdqtrs.: Watts Regulator Co.	815 Chestnut St., North Andover, MA 01845-6098 U.S.A.	978 688-1811	978 794-1848



Watts USA website: www.wattsreg.com
Watts Canada website: www.wattsCanada.ca